

FANUC Robot CRX-10*i*A, 10*i*A/L



FEATURES

FANUC Robot CRX-10*i*A and 10*i*A/L are lightweight collaborative robots with a smooth and approachable design.

- Two reach variants available to meet various applications.
 - CRX-10*i*A Payload 10kg Reach : 1249mm
 - CRX-10*i*A/L Payload 10kg Reach : 1418mm

Safety

- Similar to the other FANUC CR-series robots, the CRX robots stop safely upon light contact with humans.
- The robots are certified to meet the requirements of international standard ISO 10218-1.

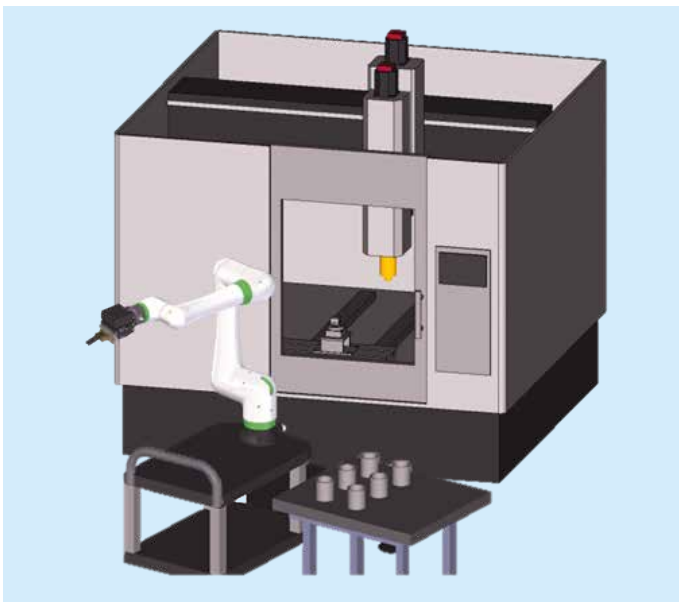
Ease of use

- The lightweight arms and compact R-30*i*B Mini Plus controller enables easy installation without any lifting equipment.
- Manual guided teaching and the new user interface on the tablet offers intuitive operation and easy teaching.
- The under flip motion on J3 makes it easy to access to the back side. (CRX-10*i*A/L)
- Easy connection to third-party grippers
- Other intelligent features such as *i*RVision (integrated vision) and *i*RPickTool are also available.

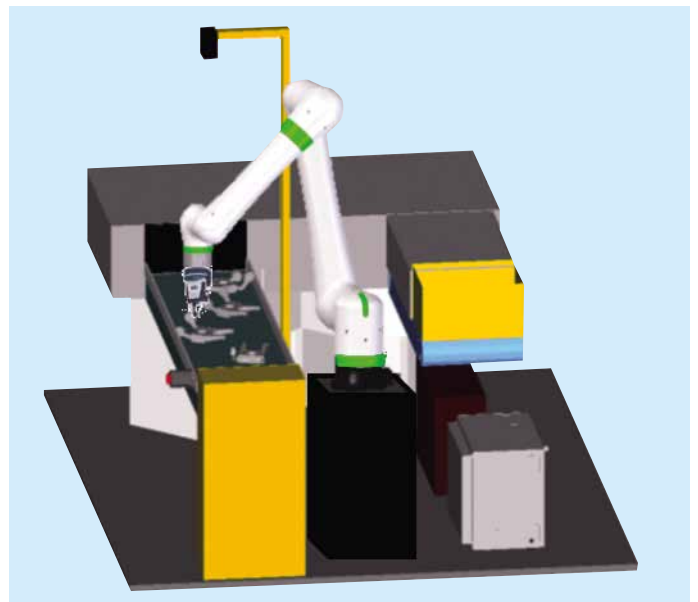
High Reliability

- Maintenance-Free supported by the renowned high reliability design from years of experience suited for industrial use

Application Examples



Load/Unload from Machine Tool

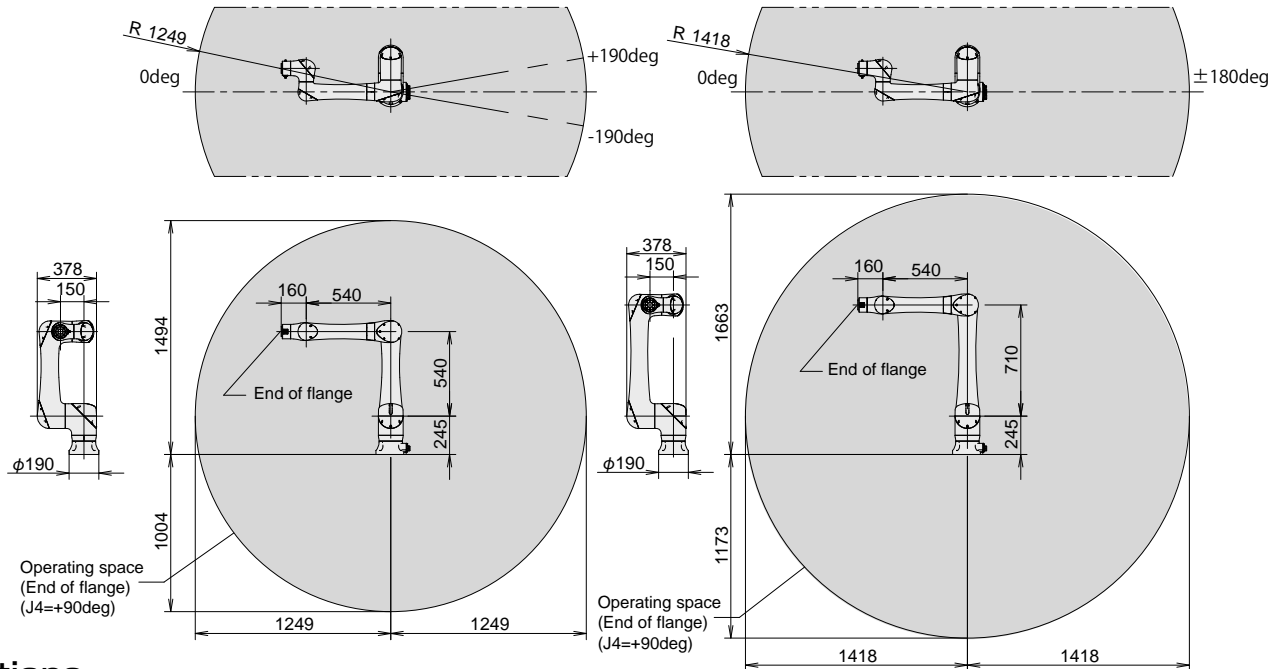


3D Visual Tracking

Operating Space

CRX-10iA

CRX-10iA/L



Specifications

Model		CRX-10iA	CRX-10iA/L
Type		6 axes (J1, J2, J3, J4, J5, J6)	
Reach		1249 mm	1418 mm
Installation (Note 1)		Floor, Upside-down, Angle mount	
Motion range (Maximum speed) (Note 2)	J1 axis	380° (120°/s) 6.63 rad (2.09 rad/s)	360° (120°/s) 6.28 rad (2.09 rad/s)
	J2 axis	360° (120°/s) 6.28 rad (2.09 rad/s)	540° (180°/s) 9.42 rad (3.14 rad/s)
	J3 axis	570° (180°/s) 9.95 rad (3.14 rad/s)	380° (180°/s) 6.63 rad (3.14 rad/s)
	J4 axis	380° (180°/s) 6.63 rad (3.14 rad/s)	360° (180°/s) 6.28 rad (3.14 rad/s)
	J5 axis	360° (180°/s) 6.28 rad (3.14 rad/s)	450° (180°/s) 7.85 rad (3.14 rad/s)
	J6 axis	450° (180°/s) 7.85 rad (3.14 rad/s)	
Maximum speed (Note 2, 3)	Collaborative mode	1000 mm/s	
	High speed mode	2000 mm/s	
Max. load capacity at wrist		10 kg	
Allowable load moment at wrist	J4 axis	34.8 Nm	
	J5 axis	26.0 Nm	
	J6 axis	11.0 Nm	
Allowable load inertia at wrist	J4 axis	1.28 kg·m ²	
	J5 axis	0.90 kg·m ²	
	J6 axis	0.30 kg·m ²	
Repeatability (Note 4)		±0.04 mm	
Mass (Note 5)		40 kg	
Noise (Note 6)		70 dB or less	
Degree of protection		IP67	
Installation environment		Ambient temperature : 0 to 45°C Ambient humidity : Normally 75% or less (No dew nor frost allowed) : Short term 95%RH or less (within one month) Vibration acceleration: 4.9m/s ² (0.5G) or less	
Matching controller R-30iB Mini Plus	Rated Voltage	AC 100-120V, AC200-240V Single phase, 50/60Hz	
	Input power source capacity	1.5KVA	
	Mass of controller	20 kg	
	Dimensions (WxDxH)	410 × 277 × 370 mm	
	Degree of protection	IP54	

Note 1) Angle mount needs motion range restriction according to with the payload.

Note 2) During short distance motions, the axis speed may not reach the maximum value stated.

Note 3) It is necessary to set a motion speed according to risk assessment of system.

Note 4) Compliant with ISO9283.

Note 5) Without controller.

Note 6) This value is equivalent continuous A-weighted sound pressure level that applied with ISO11201(EN31201)

This value is measured with the following conditions.

- Maximum load and speed - Operation mode is AUTO

FANUC CORPORATION

•Headquarters Oshino-mura, Yamanashi 401-0597, Japan
Phone: (+81)555-84-5555 <https://www.fanuc.co.jp/>

Overseas Affiliated Companies

FANUC America Corporation
FANUC Europe Corporation, S.A.
SHANGHAI-FANUC Robotics CO., LTD.
KOREA FANUC CORPORATION
TAIWAN FANUC CORPORATION
FANUC INDIA PRIVATE LIMITED
FANUC SINGAPORE PTE. LTD.
FANUC THAI LIMITED
FANUC MECHATRONICS (MALAYSIA) SDN. BHD.
PT. FANUC INDONESIA
FANUC OCEANIA PTY. LIMITED
FANUC SOUTH AFRICA (PROPRIETARY) LIMITED

Phone: (+1)248-377-7000
Phone: (+352)727777-1
Phone: (+86)21-5032-7700
Phone: (+82)55-278-1200
Phone: (+886)4-2359-0522
Phone: (+91)80-2852-0057
Phone: (+65)6567-8566
Phone: (+66)2-714-6111
Phone: (+60)3-3082-1222
Phone: (+62)21-4584-7285
Phone: (+61)2-8822-4600
Phone: (+27)11-392-3610

<https://www.fanucamerica.com/>
<https://www.fanuc.eu/>
<https://www.shanghai-fanuc.com.cn/>
<https://www.fkc.co.kr/>
<https://www.fanuctaiwan.com.tw/>
<https://www.fanucindia.com/>
<https://www.fanuc.com/fsp/>
<https://www.fanuc.com/ftt/>
<https://www.fanuc.com/fmm/>
<https://www.fanuc.com/fin/>
<https://www.fanucoceania.com.au/>
<https://fanuc.co.za/>

•All specifications are subject to change without notice.

•No part of this catalog may be reproduced in any form.

•The products in this catalog are controlled based on Japan's "Foreign Exchange and Foreign Trade Law". The export from Japan may be subject to an export license by the government of Japan. Further, re-export to another country may be subject to the license of the government of the country from where the product is re-exported. Furthermore, the product may also be controlled by re-export regulations of the United States government. Should you wish to export or re-export these products, please contact FANUC for advice.

© FANUC CORPORATION, 2020

RCRX(E)-04, 2021.9, Printed in Japan